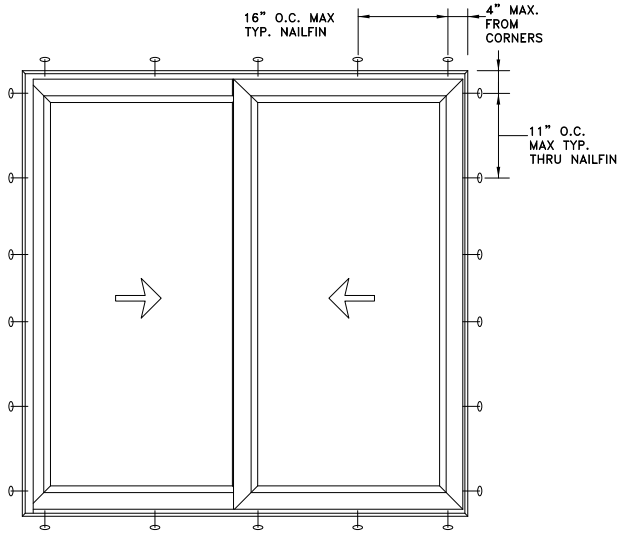
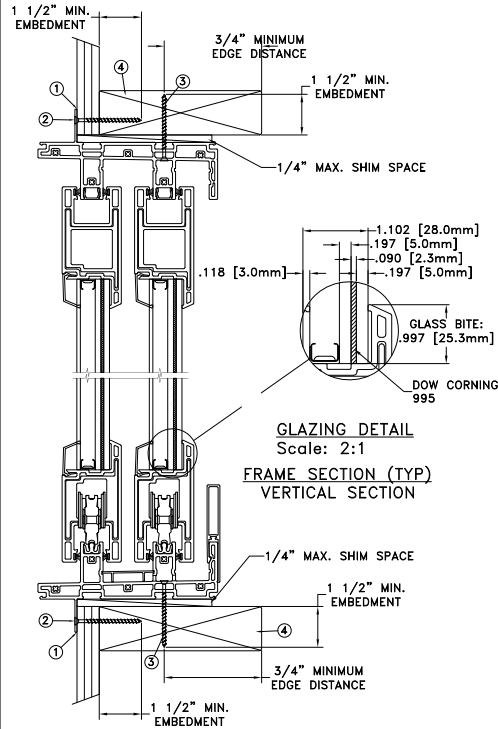


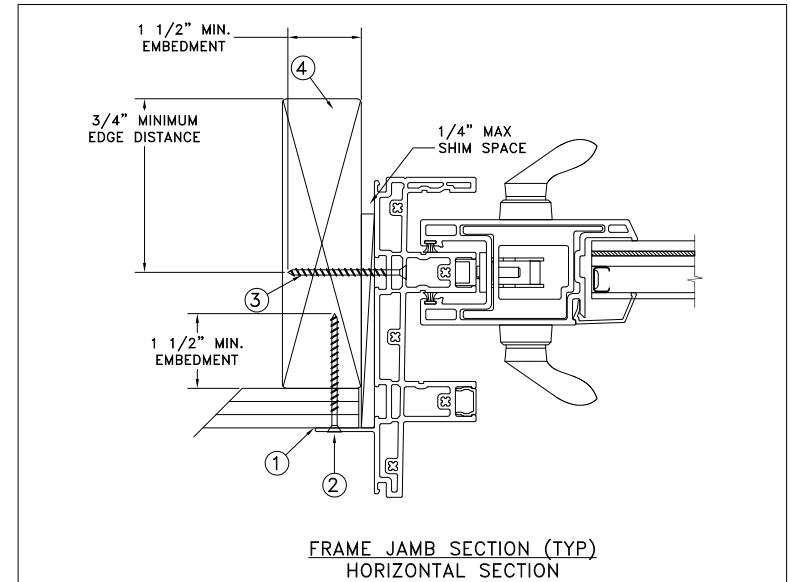
NAILFIN / THRU JAMB
INSTALLATION



TYPICAL ELEVATION WITH FASTENER SPACING



GLAZING DETAIL
Scale: 2:1
FRAME SECTION (TYP)
VERTICAL SECTION



FRAME JAMB SECTION (TYP)
HORIZONTAL SECTION

Max Frame	DP	IMPACT
71 3/4 x 79 13/16	+65/-70	YES

Installation Notes:

1. Seal flange/frame to substrate. Sill shall be set on a continuous serpentine bead of structural grade silicone caulk when no fastener is used to anchor the sill (typical).
2. Use #10 PH or greater fastener through the nailfin with sufficient length to penetrate a minimum of 1 1/2" into the wood framing. For 2x wood frame substrate (min. S.G. = 0.42)
3. Use #10 PH or greater fastener through the pre-drilled holes in the head/sill tracks at the interior tower with sufficient length to penetrate a minimum of 1 1/2" into the wood framing. See additional details for location and spacing.
4. Host structure (wood buck, masonry, steel) to be designed and anchored to properly transfer all loads to the structure. The host structure is the responsibility of the architect or engineer of record for the project of installation.

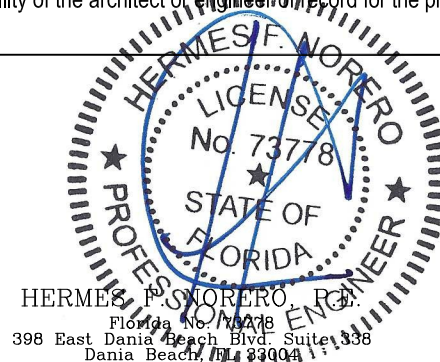
General Notes:

1. The product shown herein is designed, tested and manufactured to comply with the wind load criteria of the adopted International Building Code (IBC), the International Residential Code (IRC), the current Florida Building Code (FBC) and the industry requirement for the stated conditions.
2. All glazing shall conform to ASTM E1300.
3. At minimum, glazing is 3.0mm tempered - 12.7mm airspace - 5.0mm annealed - 2.3mm SGP Interlayer by Kuraray - 5.0mm annealed insulating glass.
4. Use structural or composite shims where required.

This schedule addresses only the fasteners required to anchor the unit to achieve the rated design pressure and impact performance (where applicable) up to the size limitations noted. It is not intended as a guide to the installation process and does not address the sealing consideration that may arise in different wall conditions. For the complete installation procedure, see the instructions packaged with the unit or go to www.jeld-wen.com/resources/installation.

DISCLAIMER:

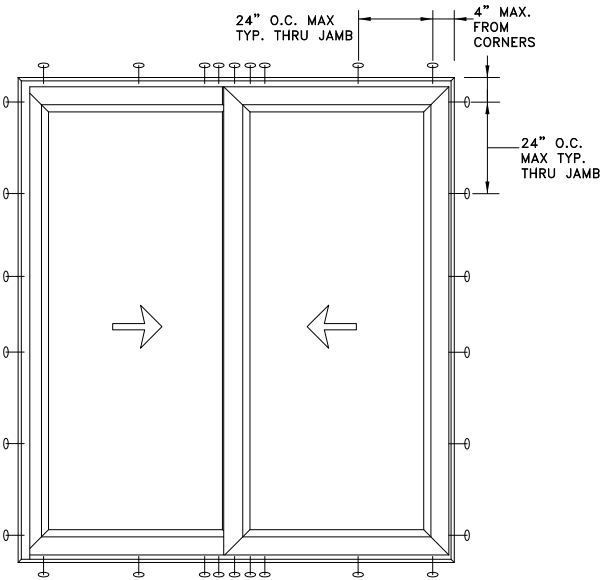
This drawing and its contents are confidential and are not to be reproduced or copied in whole or in part or used or disclosed to others except as authorized by JELD-WEN Inc.



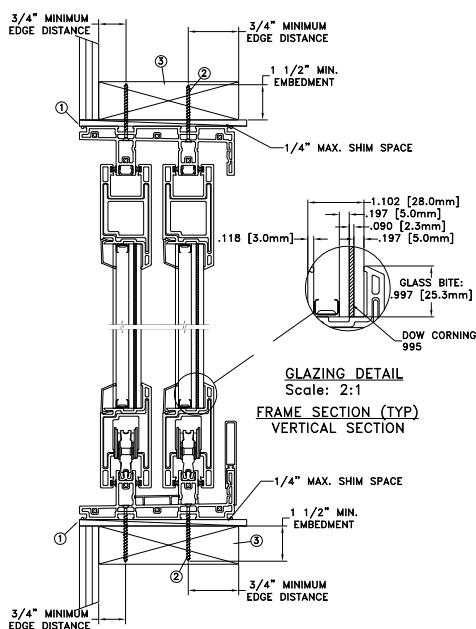
HERMES F. SNORERO, P.E.
Florida No. 73778
398 East Dania Beach Blvd, Suite 338
Dania Beach, FL 33004

DATE: 10/03/2019		3737 LAKEPORT BLVD. KLAMATH FALLS OR, 97601 PHONE: (800) 535-3936
DRAWN BY: J.HAWKINS		SCALE: NTS
CHECKED BY: J.GOOSSEN	TITLE: Premium Vinyl Multi-Slide Patio Door - HVHZ 2-Panel 2-Track XX Stack	
APPROVED BY: J.GOOSSEN		
RECORD No: D014758		
REPORT No: NCTL-210-4150-02	CAD DWG. No.: PremVinylMTSLDR2 Cert	REV: A SHEET 1 OF 4

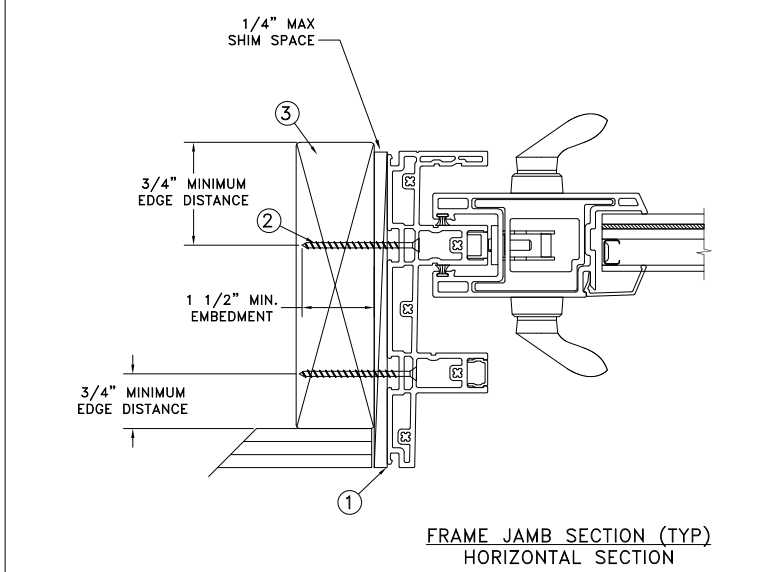
THROUGH FRAME
INSTALLATION



TYPICAL ELEVATION WITH FASTENER SPACING



GLAZING DETAIL
Scale: 2:1
FRAME SECTION (TYP)
VERTICAL SECTION



FRAME JAMB SECTION (TYP)
HORIZONTAL SECTION

Max Frame	DP	IMPACT
71 3/4 x 79 13/16	+65/-70	YES

Installation Notes:

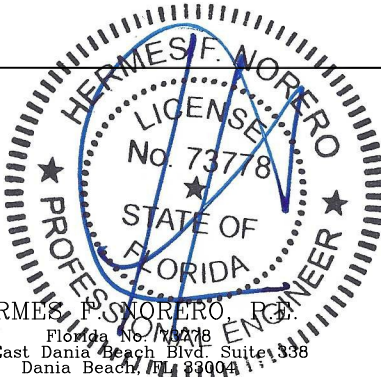
1. Seal flange/frame to substrate. Sill shall be set on a continuous serpentine bead of structural grade silicone caulk when no fastener is used to anchor the sill (typical).
2. Use #10 PH or greater fastener through the pre-drilled holes in the head/sill tracks at both towers with sufficient length to penetrate a minimum of 1 1/2" into the wood framing. See additional details for location and spacing. For 2X wood frame substrate (min. SG = 0.42)
3. Host structure (wood buck, masonry, steel) to be designed and anchored to properly transfer all loads to the structure. The host structure is the responsibility of the architect or engineer of record for the project of installation.

General Notes:

1. The product shown herein is designed, tested and manufactured to comply with the wind load criteria of the adopted International Building Code (IBC), the International Residential Code (IRC), the current Florida Building Code (FBC) and the industry requirement for the stated conditions.
2. All glazing shall conform to ASTM E1300.
3. At minimum, glazing is 3.0mm tempered - 12.7mm airspace - 5.0mm annealed - 2.3mm SGP Interlayer by Kuraray - 5.0mm annealed insulating glass.
4. Use structural or composite shims where required.

This schedule addresses only the fasteners required to anchor the unit to achieve the rated design pressure and impact performance (where applicable) up to the size limitations noted. It is not intended as a guide to the installation process and does not address the sealing consideration that may arise in different wall conditions. For the complete installation procedure, see the instructions packaged with the unit or go to www.jeld-wen.com/resources/installation.

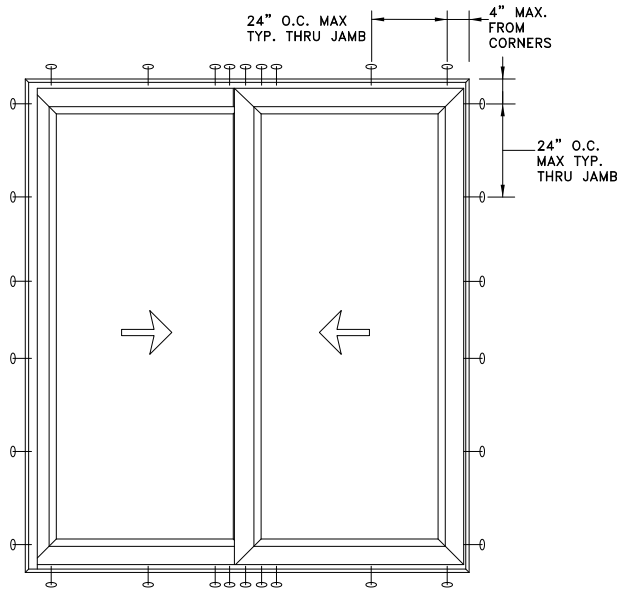
DISCLAIMER:
This drawing and its contents are confidential and are not to be reproduced or copied in whole or in part or used or disclosed to others except as authorized by JELD-WEN Inc.



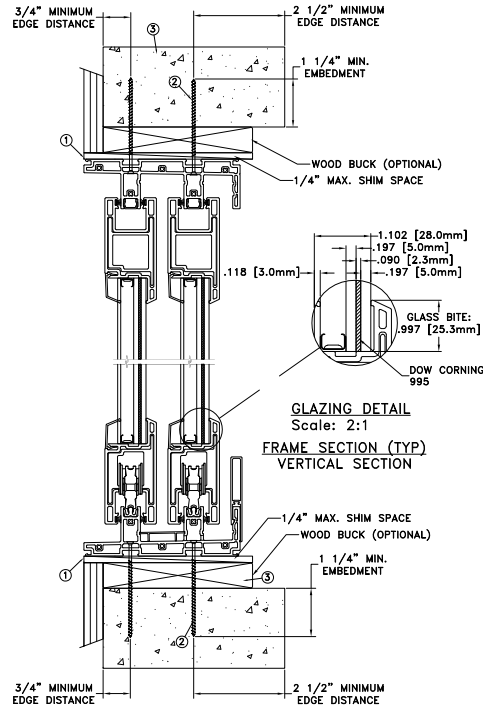
HERMES F. SNORERO, P.E.
Florida No. 73778
398 East Dania Beach Blvd, Suite 338
Dania Beach, FL 33004

DATE: 10/03/2019		3737 LAKEPORT BLVD. KLAMATH FALLS OR, 97601 PHONE: (800) 535-3936
DRAWN BY: J.HAWKINS		SCALE: NTS
CHECKED BY: J.GOOSSEN	TITLE: Premium Vinyl Multi-Slide Patio Door - HVHZ 2-Panel 2-Track XX Stack	
APPROVED BY: J.GOOSSEN		
RECORD No: D014758		
REPORT No: NCTL-210-4150-02	CAD DWG. No.: PremVinylMTSLDR2 Cert	REV: A SHEET 2 OF 4

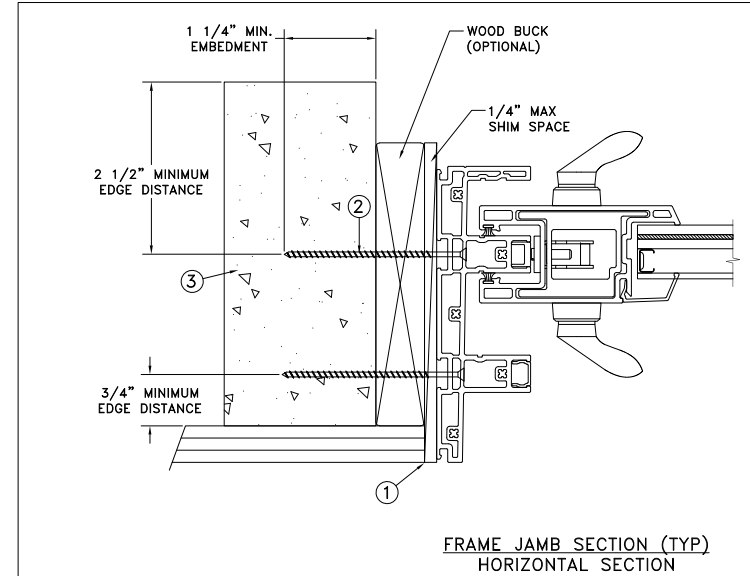
CONCRETE/MASONRY
INSTALLATION



TYPICAL ELEVATION WITH FASTENER SPACING



GLAZING DETAIL
Scale: 2:1
FRAME SECTION (TYP)
VERTICAL SECTION



FRAME JAMB SECTION (TYP)
HORIZONTAL SECTION

Max Frame	DP	IMPACT
71 3/4 x 79 13/16	+65/-70	YES

Installation Notes:

1. Seal flange/frame to substrate. Sill shall be set on a continuous serpentine bead of structural grade silicone caulk when no fastener is used to anchor the sill (typical).
2. Use 3/16" tapcon or equivalent fasteners through the pre-drilled holes in the head/sill tracks at both towers with sufficient length to penetrate a minimum of 1 1/4" into concrete or masonry at each location with a 2 1/2" min. from edge distance. For concrete (min. fc = 3000 psi) or masonry substrate (CMU shall adhere to ASTM C90).
3. Host structure (wood buck, masonry, steel) to be designed and anchored to properly transfer all loads to the structure. The host structure is the responsibility of the architect or engineer of record for the project of installation.

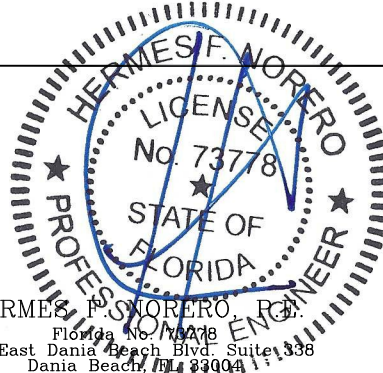
General Notes:

1. The product shown herein is designed, tested and manufactured to comply with the wind load criteria of the adopted International Building Code (IBC), the International Residential Code (IRC), the current Florida Building Code (FBC) and the industry requirement for the stated conditions.
2. All glazing shall conform to ASTM E1300.
3. At minimum, glazing is 3.0mm tempered - 12.7mm airspace - 5.0mm annealed - 2.3mm SGP Interlayer by Kuraray - 5.0mm annealed insulating glass.
4. Use structural or composite shims where required.

This schedule addresses only the fasteners required to anchor the unit to achieve the rated design pressure and impact performance (where applicable) up to the size limitations noted. It is not intended as a guide to the installation process and does not address the sealing consideration that may arise in different wall conditions. For the complete installation procedure, see the instructions packaged with the unit or go to www.jeld-wen.com/resources/installation.

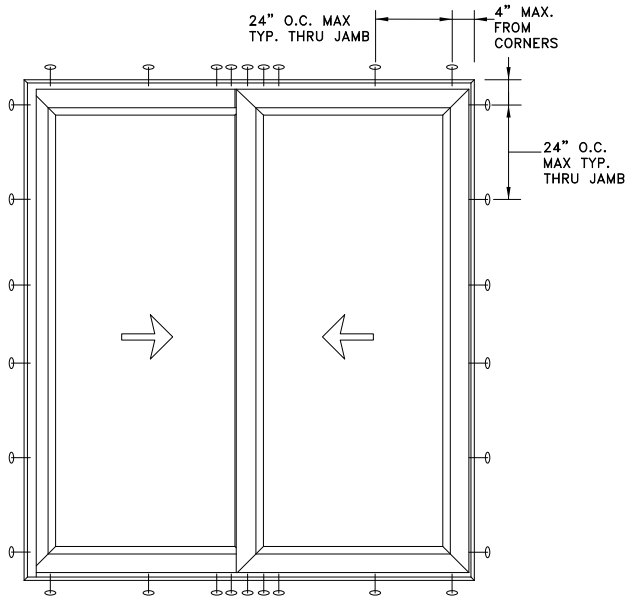
DISCLAIMER:

This drawing and its contents are confidential and are not to be reproduced or copied in whole or in part or used or disclosed to others except as authorized by JELD-WEN Inc.

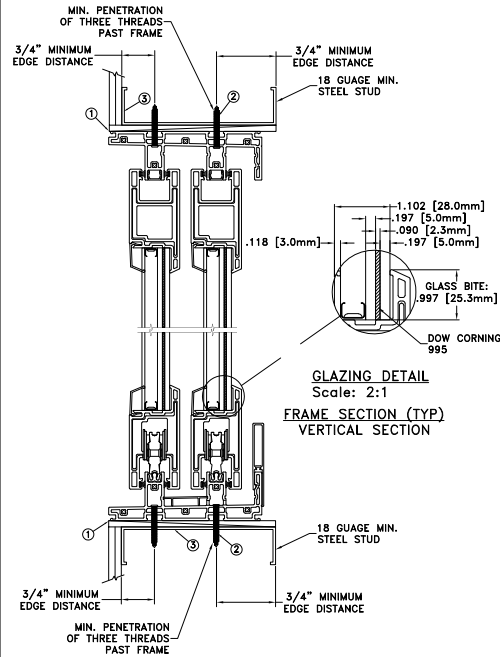


HERMES F. SNORERO, P.E.
Florida No. 73778
398 East Dania Beach Blvd, Suite 338
Dania Beach, FL 33004

DATE: 10/03/2019	3737 LAKEPORT BLVD. KLAMATH FALLS OR, 97601 PHONE: (800) 535-3936
SCALE: NTS	
DRAWN BY: J.HAWKINS	<p>JELD-WEN</p> <p>Premium Vinyl Multi-Slide Patio Door - HVHZ 2-Panel 2-Track XX Stack</p>
CHECKED BY: J.GOOSSEN	
APPROVED BY: J.GOOSSEN	
RECORD No: D014758	
REPORT No: NCTL-210-4150-02	<p>CAD DWG. No.: PremVinylMTSLDR2 Cert</p> <p>REV: A</p> <p>SHEET 3 OF 4</p>

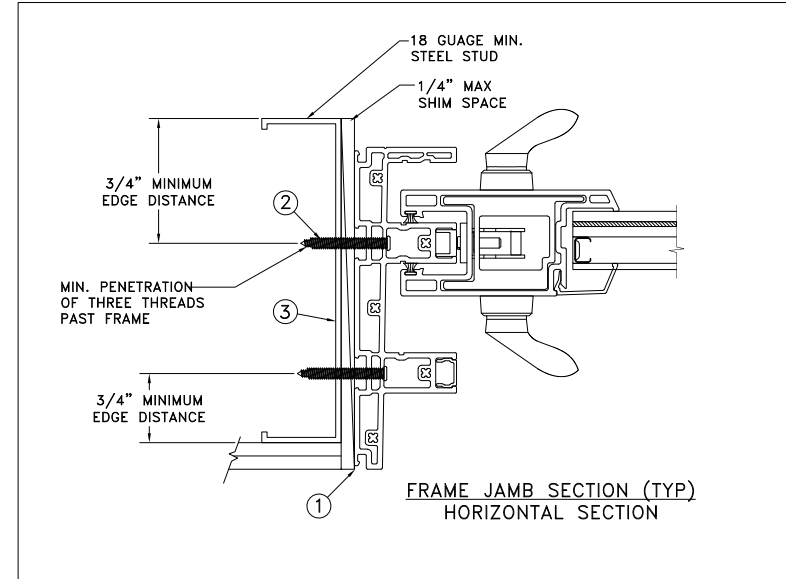


TYPICAL ELEVATION WITH FASTENER SPACING



GLAZING DETAIL
Scale: 2:1
FRAME SECTION (TYP)
VERTICAL SECTION

STEEL INSTALLATION



FRAME JAMB SECTION (TYP)
HORIZONTAL SECTION

Max Frame	DP	IMPACT
71 3/4 x 79 13/16	+65/-70	YES

Installation Notes:

1. Seal flange/frame to substrate. Sill shall be set on a continuous serpentine bead of structural grade silicone caulk when no fastener is used to anchor the sill (typical).
2. For anchoring into metal framing use #10 TEK Self-Tapping screws with sufficient length to achieve a minimum penetration of three threads past the frame thickness at head/sill through both towers. Steel substrate min. 18ga., fy = 33 ksi.
3. Host structure (wood buck, masonry, steel) to be designed and anchored to properly transfer all loads to the structure. The host structure is the responsibility of the architect or engineer of record for the project of installation.

General Notes:

1. The product shown herein is designed, tested and manufactured to comply with the wind load criteria of the adopted International Building Code (IBC), the International Residential Code (IRC), the current Florida Building Code (FBC) and the industry requirement for the stated conditions.
2. All glazing shall conform to ASTM E1300.
3. At minimum, glazing is 3.0mm tempered - 12.7mm airspace - 5.0mm annealed - 2.3mm SGP Interlayer by Kuraray - 5.0mm annealed insulating glass.
4. Use structural or composite shims where required.

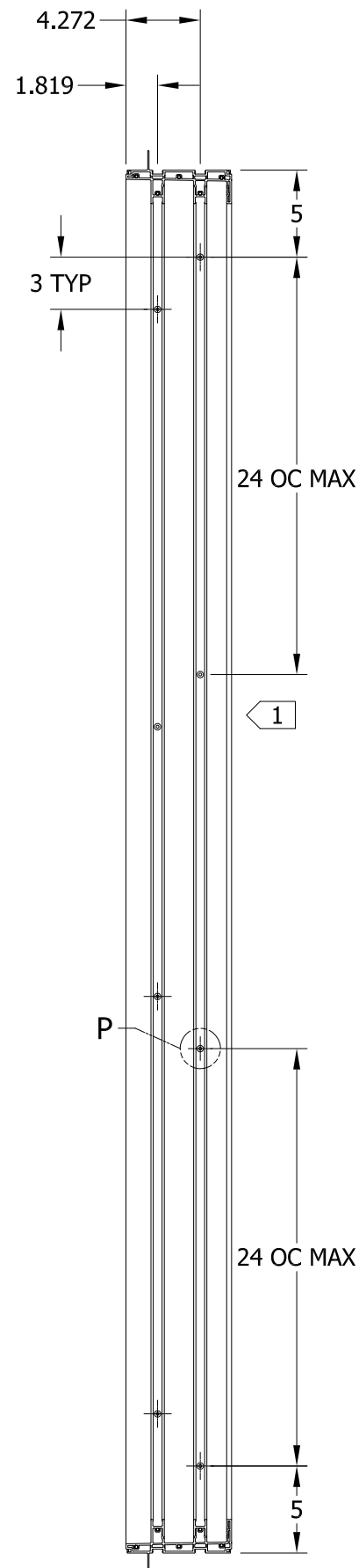
This schedule addresses only the fasteners required to anchor the unit to achieve the rated design pressure and impact performance (where applicable) up to the size limitations noted. It is not intended as a guide to the installation process and does not address the sealing consideration that may arise in different wall conditions. For the complete installation procedure, see the instructions packaged with the unit or go to www.jeld-wen.com/resources/installation.

DISCLAIMER:
This drawing and its contents are confidential and are not to be reproduced or copied in whole or in part or used or disclosed to others except as authorized by JELD-WEN Inc.



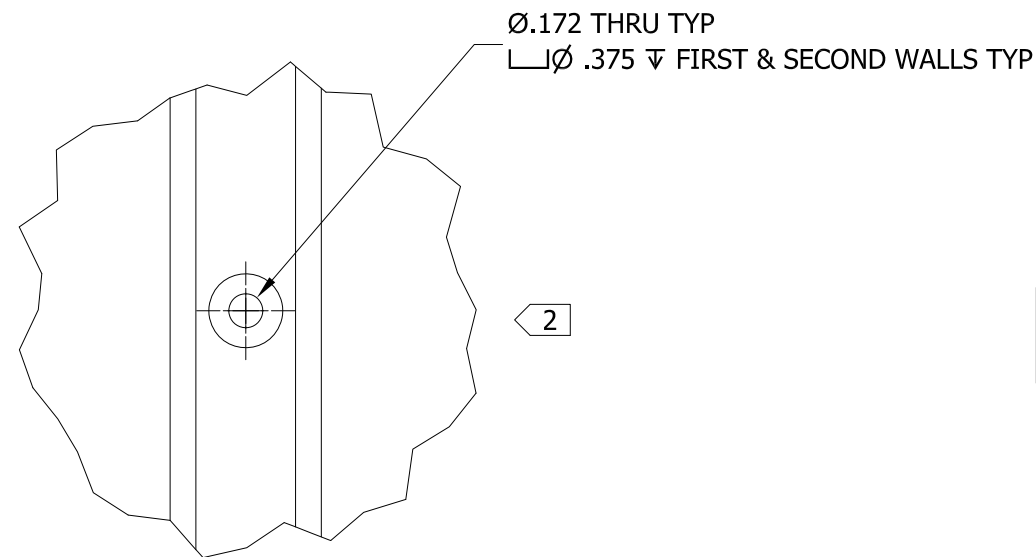
HERMES F. SNORERO, P.E.
Florida No. 73778
398 East Dania Beach Blvd Suite 338
Dania Beach, FL 33004

DATE: 10/03/2019		3737 LAKEPORT BLVD. KLAMATH FALLS OR, 97601 PHONE: (800) 535-3936
DRAWN BY: J.HAWKINS		SCALE: NTS
CHECKED BY: J.GOOSSEN	TITLE: Premium Vinyl Multi-Slide Patio Door - HVHZ 2-Panel 2-Track XX Stack	
APPROVED BY: J.GOOSSEN		
RECORD No: D014758		
REPORT No: NCTL-210-4150-02	CAD DWG. No.: PremVinylMTSLDR2 Cert	REV: A SHEET 4 OF 4



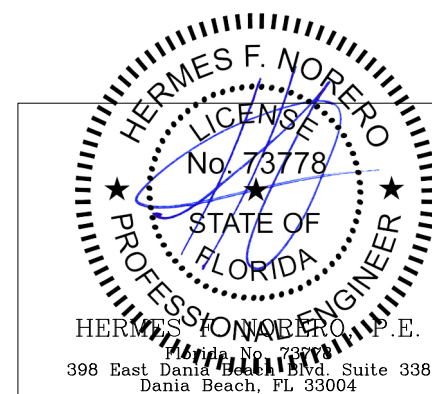
NOTES:

- 1. ANCHOR PATTERN LOCATED IN TRACK TOWERS 1 & 2 SHIFT AS DETAILED
- 1. HOLES TO BE OMITTED IF ON CENTER CALCULATIONS FALL WITHIN 2" OF KEEPER LOCATION
- 2. ALL HOLES IN ALL POSITIONS TO BE CENTERED WITHIN TRACK TOWERS IN JAMB
- 3. THRU FRAME INSTALLATION



DETAIL P
SCALE 1 : 1

THIS DRAWING NOT INTENDED FOR
FASTENER SPACING REQUIREMENTS



UNLESS SPECIFIED ALL DIMENSIONS IN INCHES
DO NOT SCALE DRAWING - REPORT ANY ERRORS

TOLERANCES (UNLESS SPECIFIED OTHERWISE)	
COMPONENT / PART TOLERANCES	
UNDER 10'-0" ± 1/32	.X ± .1
OVER 10'-0" ± 1/16	.XX ± .02
ANGULAR ± 1°	.XXX ± .006

UNIT ASSEMBLY TOLERANCES	
HEIGHT ± 1/16	WIDTH ± 1/16
MULLION ± 1/16	FRACTION ± 1/32

PROJECT ENGINEER:
N HERTZOG

DRAWN BY:
A BURWELL

CHECKED BY:
J JONES

APPROVED BY:
J JONES

IDENTIFIER No.

DATE:
9/11/2015

SCALE:
1:10

TITLE:
**2-TRACK FRAME
MULTI-SLIDE PATIO DOOR
JAMB ANCHOR HOLE DETAIL**

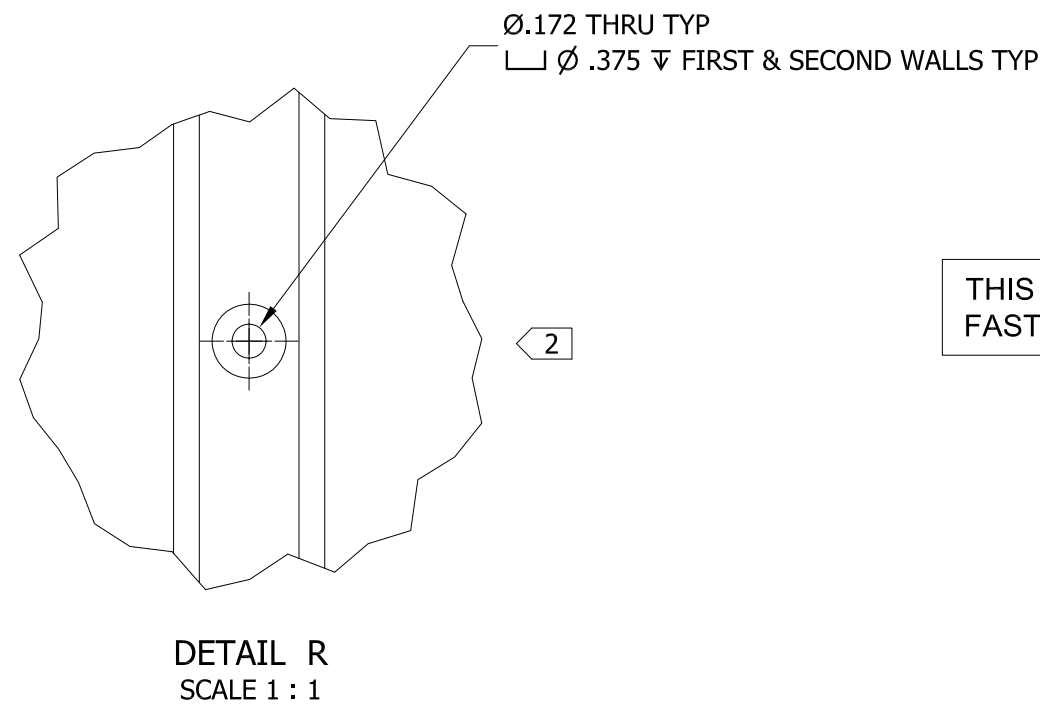
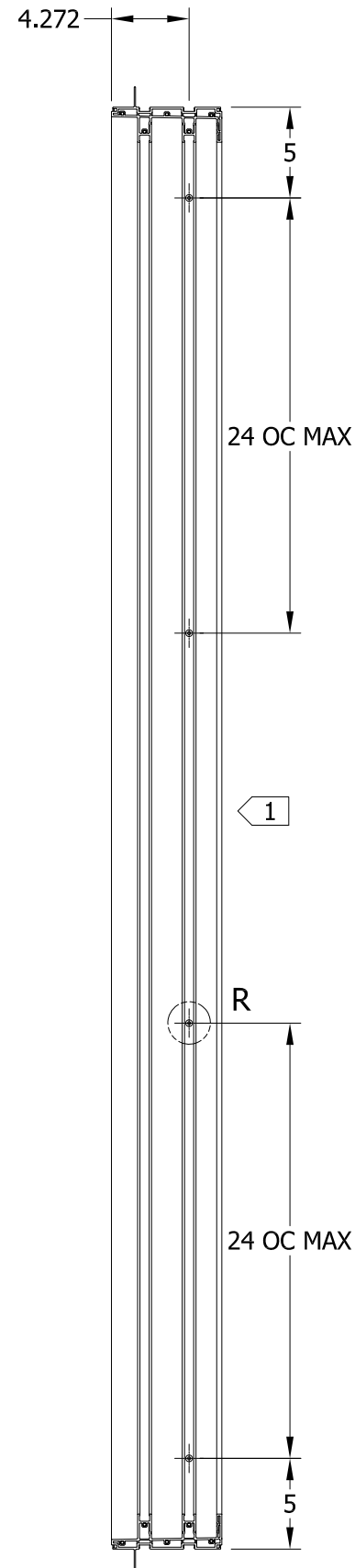
MODEL No.:
P012967-199.ipt

DRAWING No.:
P012967

© 2015 JELD-WEN, inc. ALL RIGHTS RESERVED. NO DUPLICATION OR
DISTRIBUTION PERMITTED. JELD-WEN, inc. CONFIDENTIAL AND PROPRIETARY.

REV: **A** SHEET

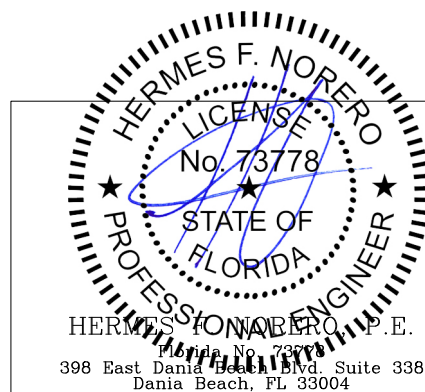




NOTES:

- 1. ANCHOR PATTERN LOCATED IN TRACK TOWER 1 SHIFT AS DETAILED
- 1. HOLES TO BE OMITTED IF ON CENTER CALCULATIONS FALL WITHIN 2" OF KEEPER LOCATION
- 2. ALL HOLES IN ALL POSITIONS TO BE CENTERED WITHIN TRACK TOWERS IN JAMB
- 3. NAIL FIN INSTALLATION

THIS DRAWING NOT INTENDED FOR FASTENER SPACING REQUIREMENTS



UNLESS SPECIFIED ALL DIMENSIONS IN INCHES
DO NOT SCALE DRAWING - REPORT ANY ERRORS

TOLERANCES (UNLESS SPECIFIED OTHERWISE)	
COMPONENT / PART TOLERANCES	
UNDER 10'-0" ± 1/32	.X ± .1
OVER 10'-0" ± 1/16	.XX ± .02
ANGULAR ± 1°	.XXX ± .006

UNIT ASSEMBLY TOLERANCES	
HEIGHT ± 1/16	WIDTH ± 1/16
MULLION ± 1/16	FRACTION ± 1/32

PROJECT ENGINEER:
N HERTZOG

DRAWN BY:
A BURWELL

CHECKED BY:
J JONES

APPROVED BY:
J JONES

IDENTIFIER No.

DATE:
9/11/2015

SCALE:
1 : 10

TITLE:
**2-TRACK FRAME
MULTI-SLIDE PATIO DOOR
JAMB ANCHOR HOLES DETAIL**

MODEL No.:
P012967-198.ipt

DRAWING No.:
P012967

© 2015 JELD-WEN, inc. ALL RIGHTS RESERVED. NO DUPLICATION OR DISTRIBUTION PERMITTED. JELD-WEN, inc. CONFIDENTIAL AND PROPRIETARY.

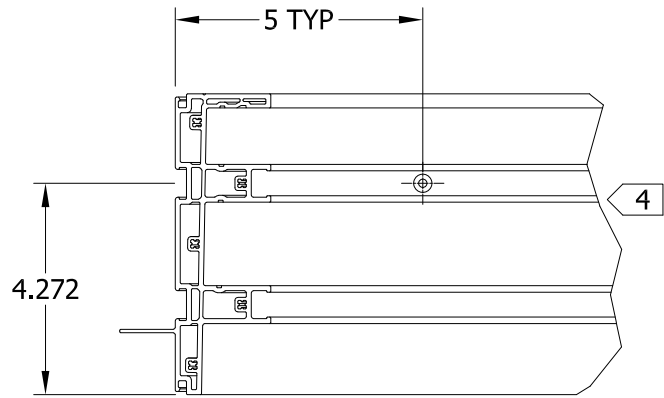
REV: **A** SHEET



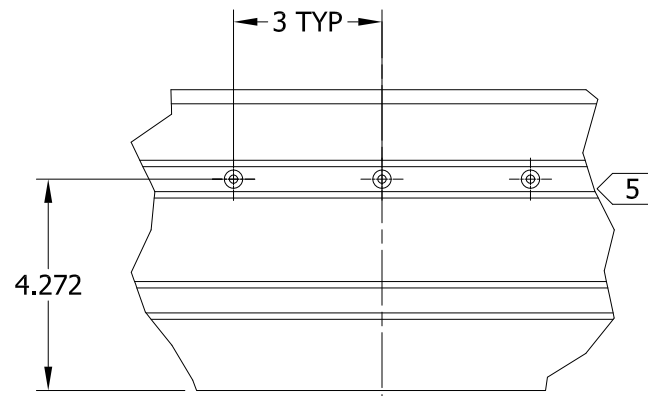
NOTES:

- 1 ALL HOLES IN ALL POSITIONS TO BE CENTERED WITHIN TRACK TOWERS AT HEAD OR SILL
- 2 TYP 1 ANCHOR PER PANEL LOCATED IN TRACK 1 TOWER AND ALIGNED WITH CENTER POINT OF EACH CLOSED POSITION PANEL
- 3 ANCHOR PATTERN LOCATED IN TRACK 1 TOWER AT EACH INTERLOCK AREA
- 4 1 ANCHOR AT ENDS LOCATED IN TRACK 1 TOWER BOTH HEAD AND SILL
- 5 TYP 3 ANCHOR PATTERN LOCATED IN TRACK 1 TOWER APPROXIMATE CENTER OF EACH CLOSED POSITION PANEL INTERLOCK AREA
- 6 CONFIGURATION FOR PG60/65 DOORS WITH NAIL FIN INSTALL

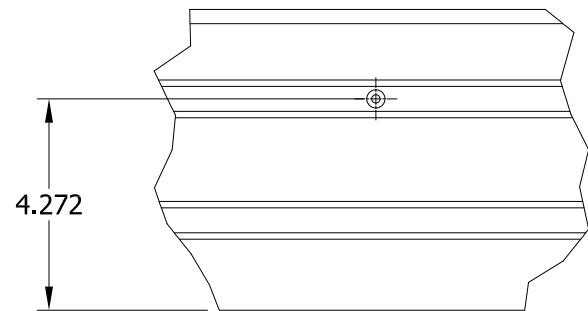
THIS DRAWING NOT INTENDED FOR FASTENER SPACING REQUIREMENTS



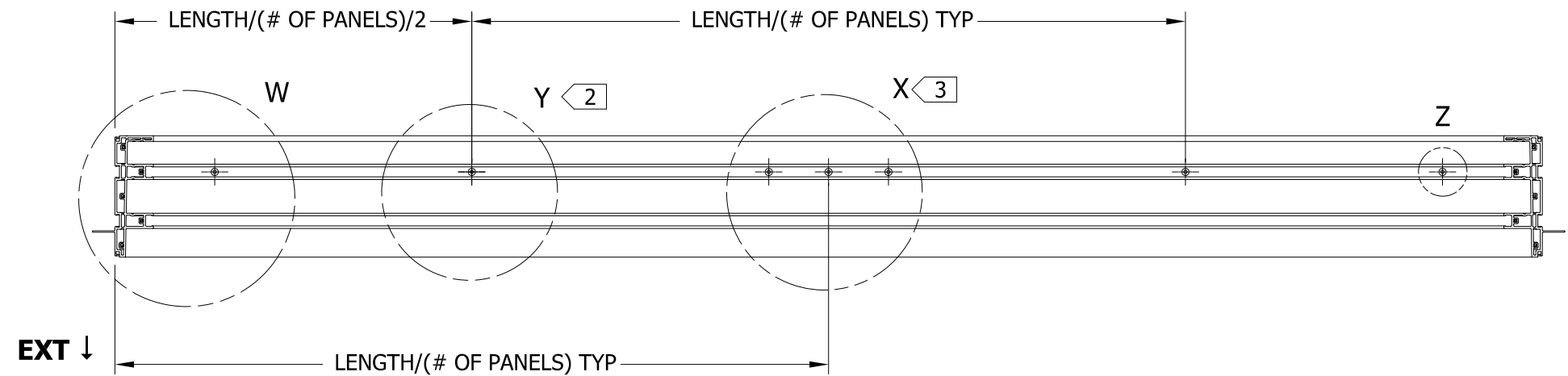
EXT ↓ DETAIL W
SCALE 1 / 4



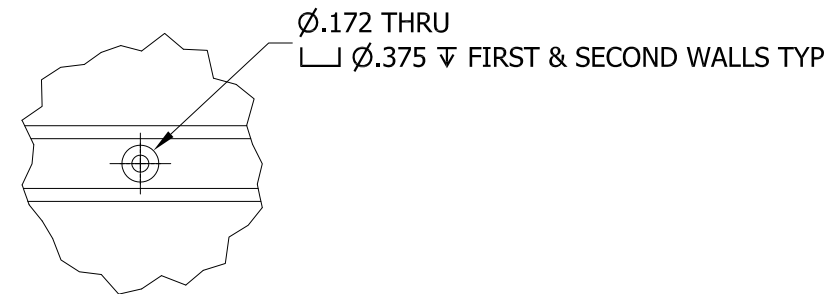
EXT ↓ PATTERN, SYM
DETAIL X
SCALE 1 / 4



EXT ↓ DETAIL Y
SCALE 1 / 4



EXT ↓



DETAIL Z TYPICAL HOLE
SCALE 1 / 2

HERMES F. NORERO P.E.
 License No. 73778
 398 East Dania Beach Blvd, Suite 338
 Dania Beach, FL 33004

UNLESS SPECIFIED ALL DIMENSIONS IN INCHES
DO NOT SCALE DRAWING - REPORT ANY ERRORS

TOLERANCES (UNLESS SPECIFIED OTHERWISE) COMPONENT / PART TOLERANCES	
UNDER 10'-0" ± 1/32	.X ± .1
OVER 10'-0" ± 1/16	.XX ± .02
ANGULAR ± 1°	.XXX ± .006
UNIT ASSEMBLY TOLERANCES	
HEIGHT ± 1/16	WIDTH ± 1/16
MULLION ± 1/16	FRACTION ± 1/32

PROJECT ENGINEER:
N HERTZOG

DRAWN BY:
A BURWELL

CHECKED BY:
J JONES

APPROVED BY:
J JONES

IDENTIFIER No.

DATE:
9/11/2015

SCALE:
AS SHOWN

JELD-WEN
WINDOWS & DOORS

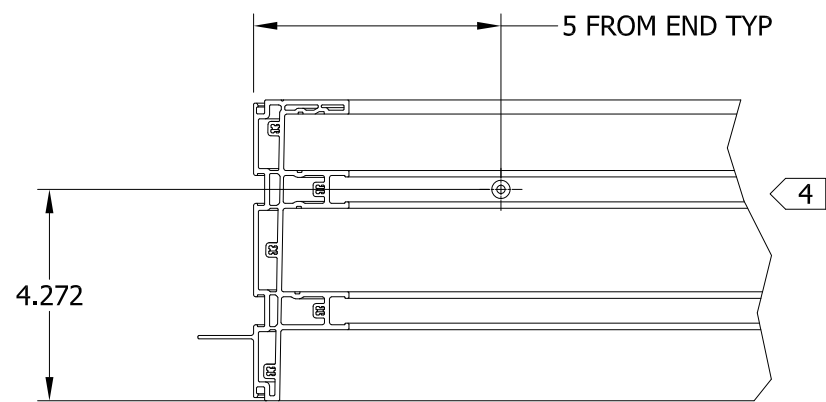
3737 Lakeport Blvd.
Klamath Falls, OR 97601
Phone: (541) 882-3451

TITLE:
**2-TRACK FRAME
MULTI-SLIDE PATIO DOOR
SILL AND HEAD ANCHOR HOLES DETAIL**

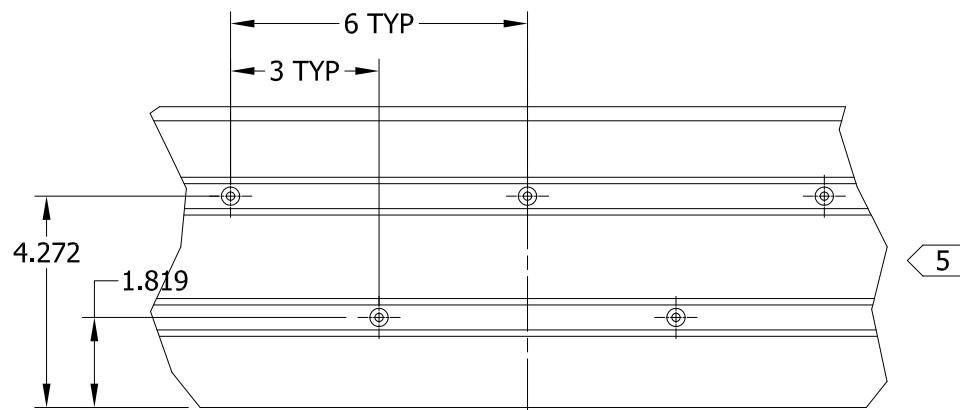
MODEL No.: **P012967-394.ipt** DRAWING No.: **P012967**

© 2015 JELD-WEN, inc. ALL RIGHTS RESERVED. NO DUPLICATION OR DISTRIBUTION PERMITTED. JELD-WEN, inc. CONFIDENTIAL AND PROPRIETARY.

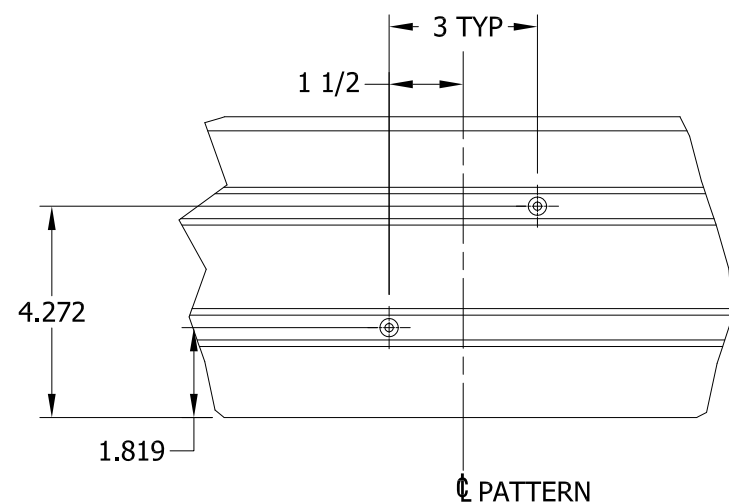
REV: **A** SHEET



EXT ↓ DETAIL AA
SCALE 1 / 4



EXT ↓ DETAIL AB
SCALE 1 / 4

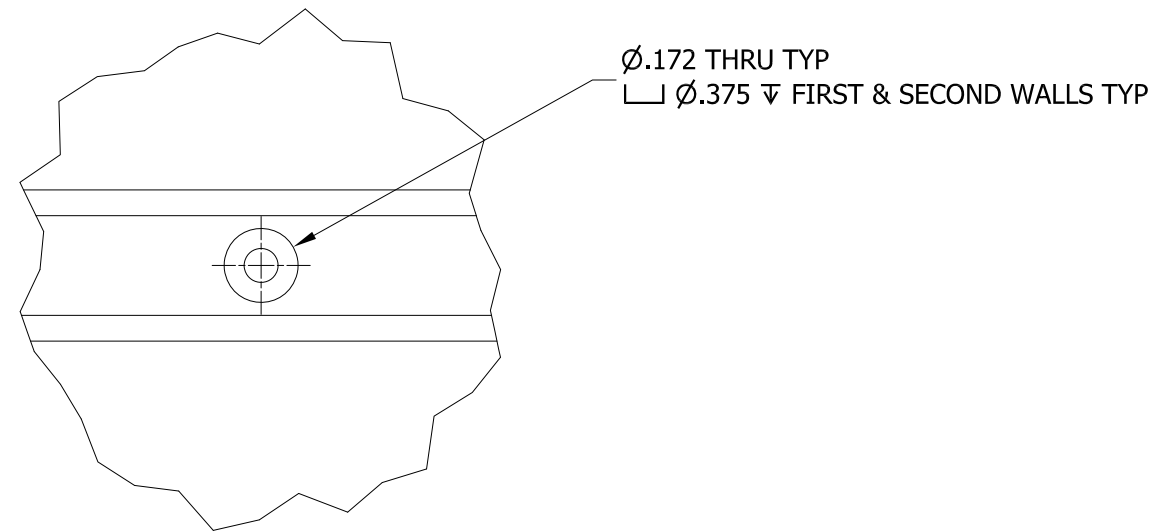
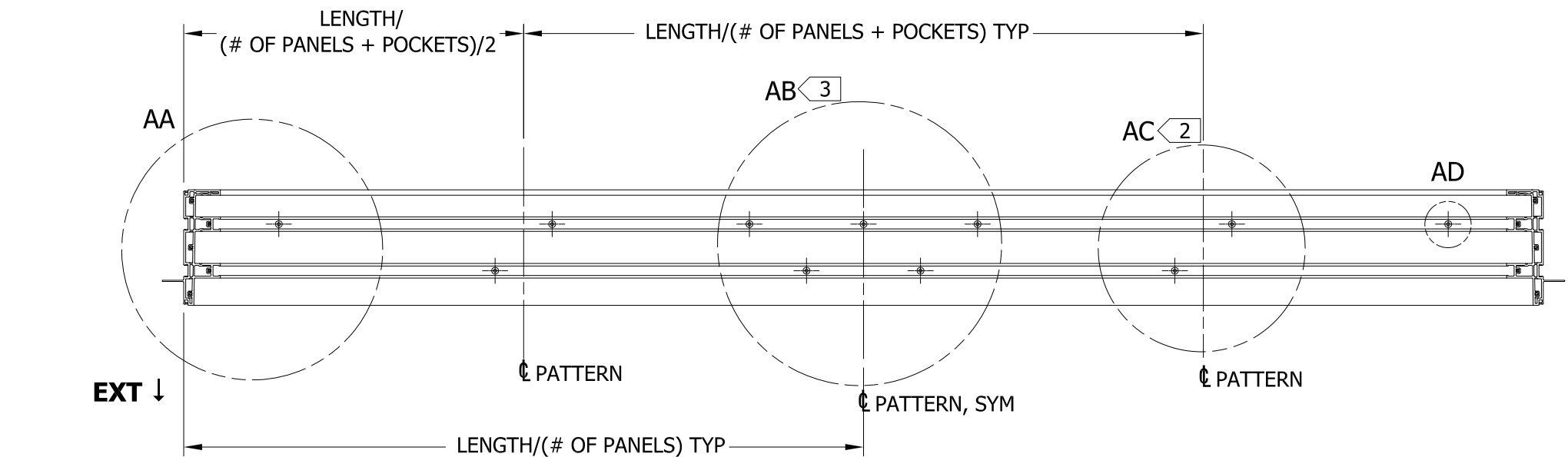


EXT ↓ DETAIL AC
SCALE 1 / 4

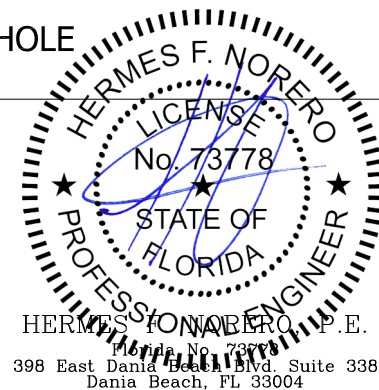
THIS DRAWING NOT INTENDED FOR FASTENER SPACING REQUIREMENTS

NOTES:

- 1 ALL HOLES IN ALL POSITIONS TO BE CENTERED WITHIN TRACK TOWERS AT HEAD OR SILL
- 2 TYP 1 ANCHOR PER PANEL LOCATED IN TRACK 1 TOWER AND ALIGNED WITH CENTER POINT OF EACH CLOSED POSITION PANEL
- 3 ANCHOR PATTERN LOCATED IN TRACK 1 & 2 TOWERS AT EACH INTERLOCK AREA
- 4 1 ANCHOR AT ENDS LOCATED IN TRACK 1 TOWER BOTH HEAD AND SILL
- 5 TYP 5 ANCHOR PATTERN LOCATED IN TRACK 1 & 2 TOWERS APPROXIMATE CENTER OF EACH CLOSED POSITION PANEL INTERLOCK AREA
- 6 CONFIGURATION FOR PG 60/65 DOORS WITH THRU FRAME INSTALL



DETAIL AD TYPICAL HOLE
SCALE 1 / 1



UNLESS SPECIFIED ALL DIMENSIONS IN INCHES
DO NOT SCALE DRAWING - REPORT ANY ERRORS

TOLERANCES (UNLESS SPECIFIED OTHERWISE)	
COMPONENT / PART TOLERANCES	
UNDER 10'-0" ± 1/32	.X ± .1
OVER 10'-0" ± 1/16	.XX ± .02
ANGULAR ± 1°	.XXX ± .006
UNIT ASSEMBLY TOLERANCES	
HEIGHT ± 1/16	WIDTH ± 1/16
MULLION ± 1/16	FRACTION ± 1/32

PROJECT ENGINEER:
N HERTZOG

DRAWN BY:
A BURWELL

CHECKED BY:
J JONES

APPROVED BY:
J JONES

IDENTIFIER No.

DATE:
9/11/2015

SCALE:
AS SHOWN

JELD-WEN
WINDOWS & DOORS

3737 Lakeport Blvd.
Klamath Falls, OR 97601
Phone: (541) 882-3451

TITLE:
**2-TRACK FRAME
MULTI-SLIDE PATIO DOOR
SILL AND HEAD ANCHOR HOLES DETAIL**

MODEL No.: **P012967-397.ipt**

DRAWING No.: **P012967**

© 2015 JELD-WEN, inc. ALL RIGHTS RESERVED. NO DUPLICATION OR DISTRIBUTION PERMITTED. JELD-WEN, inc. CONFIDENTIAL AND PROPRIETARY.

REV: **B**

SHEET